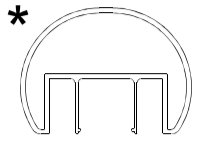
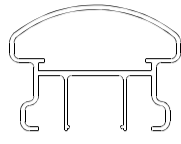




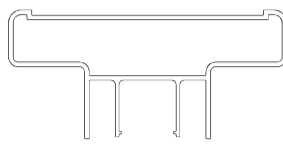
PROFILES



W55830



W55828



W56812



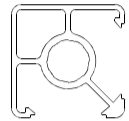
W32323A



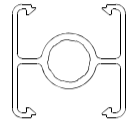
W32321



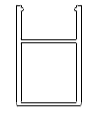
W32320



W55827



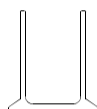
W55826



W55829

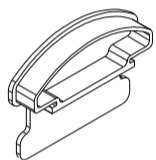


W42179

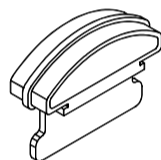


W32324

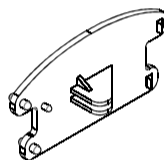
HARDWARE



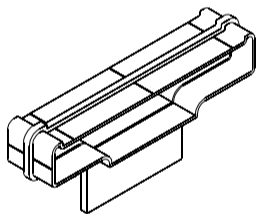
RAIL EXTENDER MUSHROOM NYEX03MB



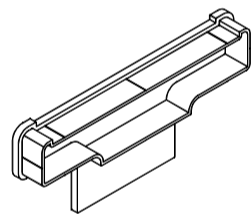
RAIL ENDCAP MUSHROOM NYEC02MB



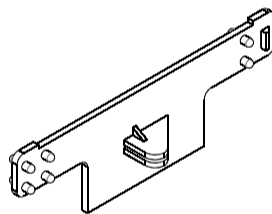
MUSHROOM RAIL 45 JOINT NYEX04MB



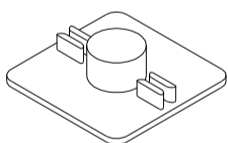
RAIL EXTENDER FLAT NYEX06FB



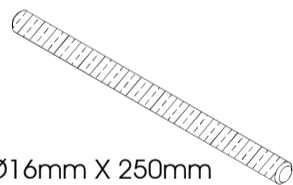
RAIL ENDCAP FLAT NYEC05FB



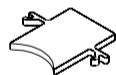
FLAT RAIL 45 CORNER JOINT NYEX07FB



STANCHION ENDCAP NYSC01B



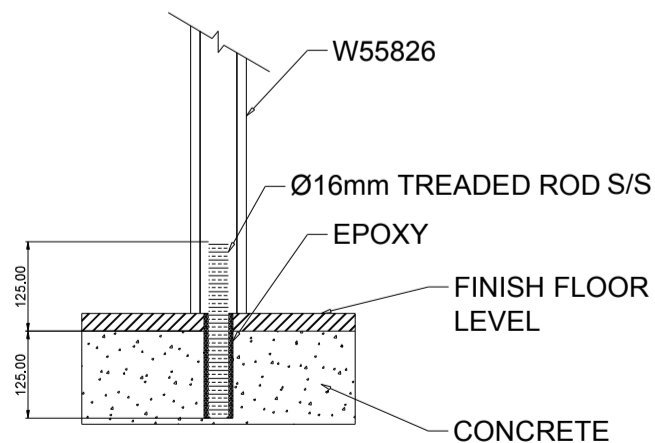
Ø16mm X 250mm THREADED ROD



GLASS PACKER NYGP04B

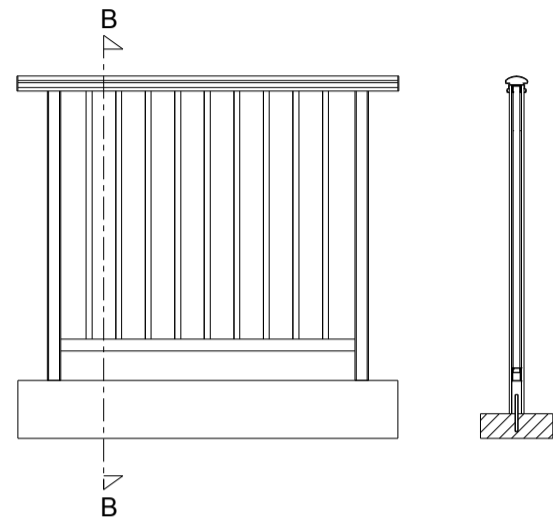
ALL TO BE USED ON W29717

STANCHION FIXING

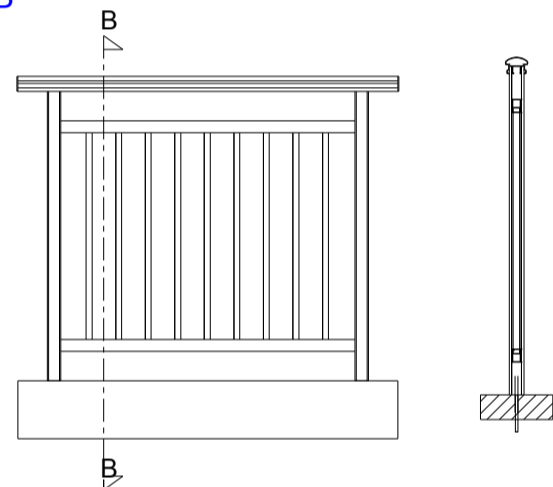


NB: EPOXY INSERTED INTO STANCHION & HOLE

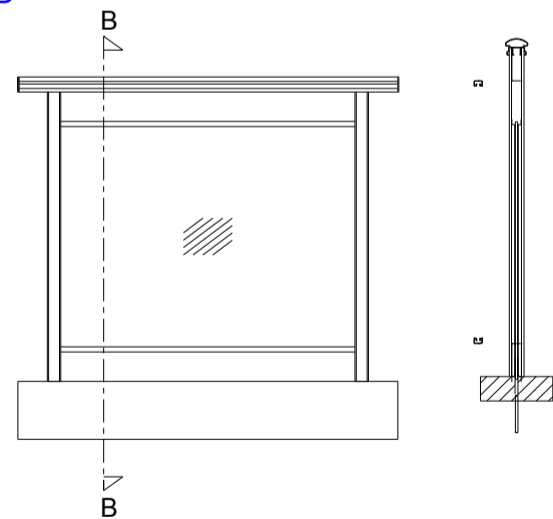
SQUARE TUBE RAILING FROM TOP RAIL



SQUARE TUBE RAILING WITH GAP



GLASS PANEL WITH GAP



* - Non Stock Items

Disclaimer: The right to make alterations is reserved.

Please refer to system manual for additional information

© Copyright 2013, Wispeco (pty) Ltd.

April 2013