

# SERENE

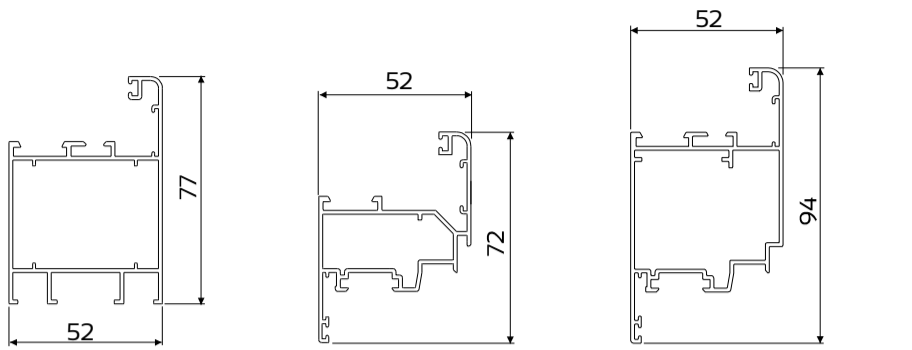
## HEAVY DUTY TILT AND SLIDE DOOR



crealco

### Product WallChart

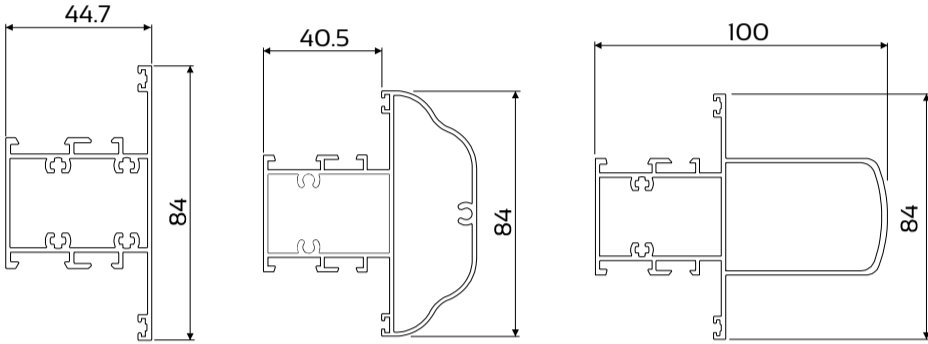
#### STANDARD ASSEMBLIES



DIE No. W55750 Frame 52mm Tilt & Slide

DIE No. W55253 Sash 72mm

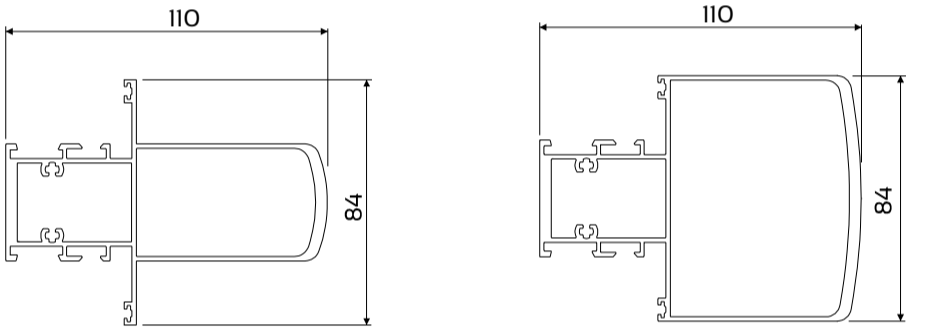
DIE No. W55255 Sash 94mm



DIE No. W55247 Mullion 44mm Flat

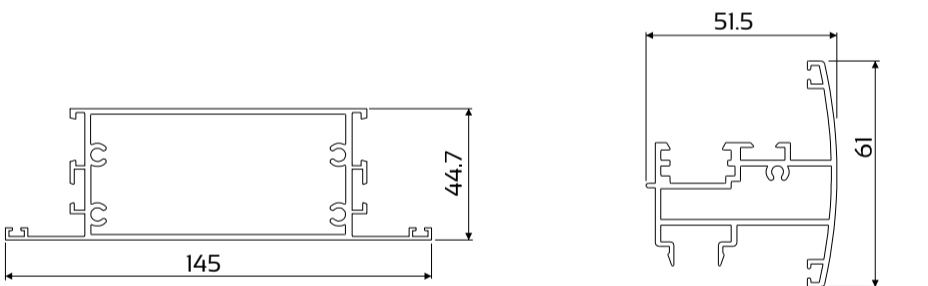
DIE No. W55480 Mullion 73mm Decorative

DIE No. W55978 Mullion 100mm Rounded



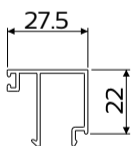
DIE No. W56704 Mullion Extra HD 110mm

DIE No. W56710 Mullion 110mm Jumbo

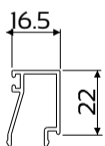


DIE No. W55481 Midrail 101mm

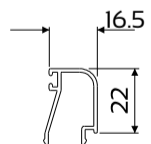
DIE No. W55250 Astragal Rounded



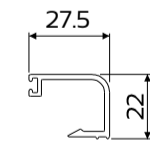
DIE No. W31271 Bead 13mm Square



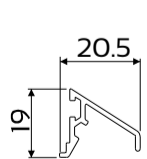
DIE No. W31265 Bead D/Glazing Square



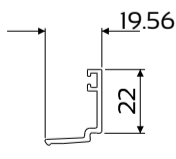
DIE No. W31266 Bead 24mm Rounded



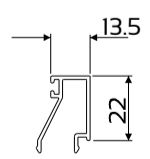
DIE No. W32208 Bead 13mm Rounded Clip



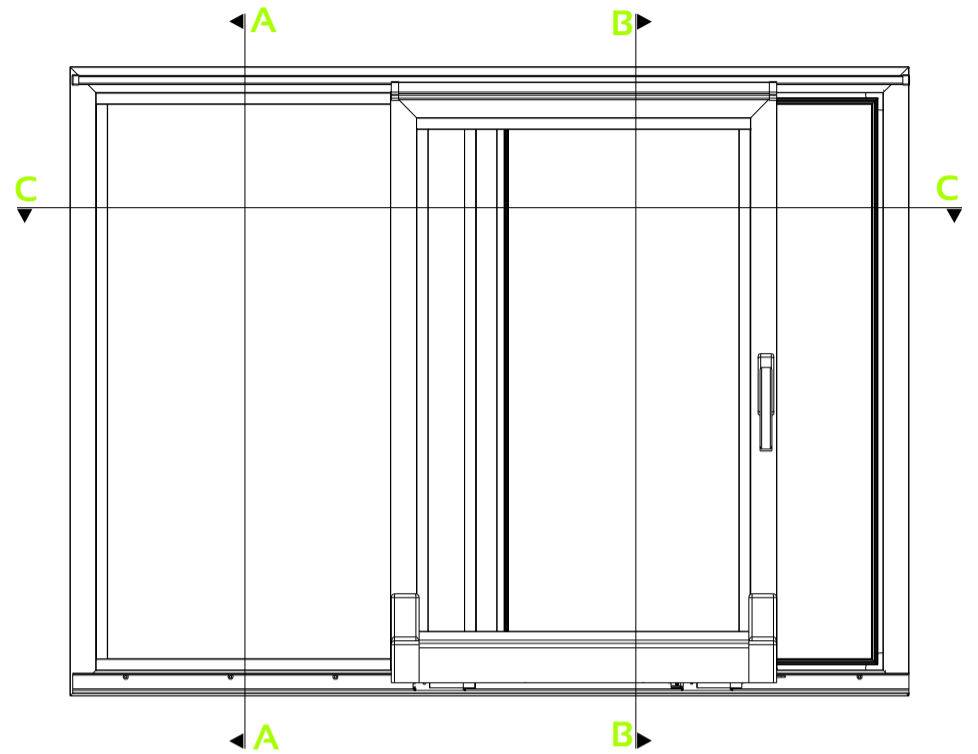
DIE No. W31263 Drip Rail



DIE No. W32657 Bead 35.5mm D/Glazing

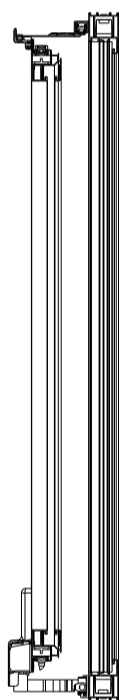


DIE No. W31273 Bead 27mm Square

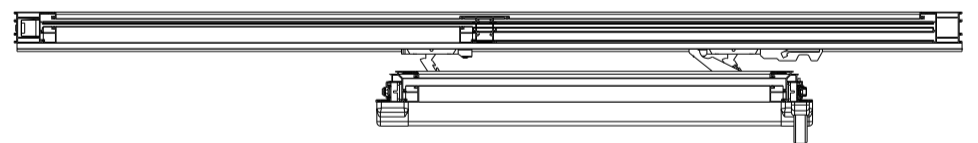


SECTION A-A  
Section not to scale

SECTION B-B  
Section not to scale



SECTION C-C  
Section not to scale



Disclaimer: The right to make alterations is reserved.

Please refer to system manual for additional information

© Copyright 2013, Wispeco (pty) Ltd.

July 2014

GAUTENG  
678 Potgieter Street  
Alrode  
PO Box 124167  
Alrode  
1451  
Tel: +27 11 389 0067  
Fax: +27 11 908 0045  
Kenny Baloi  
[systems@wispeco.co.za](mailto:systems@wispeco.co.za)

